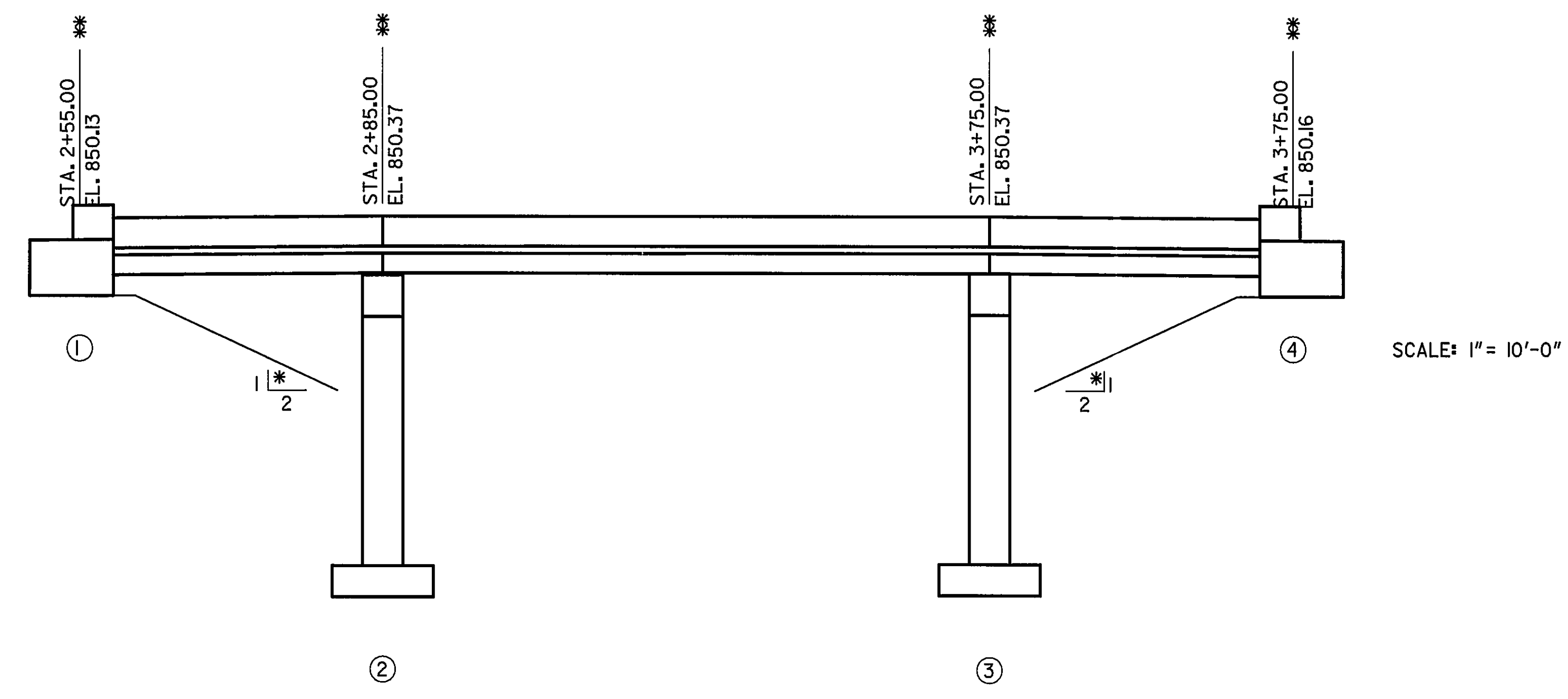
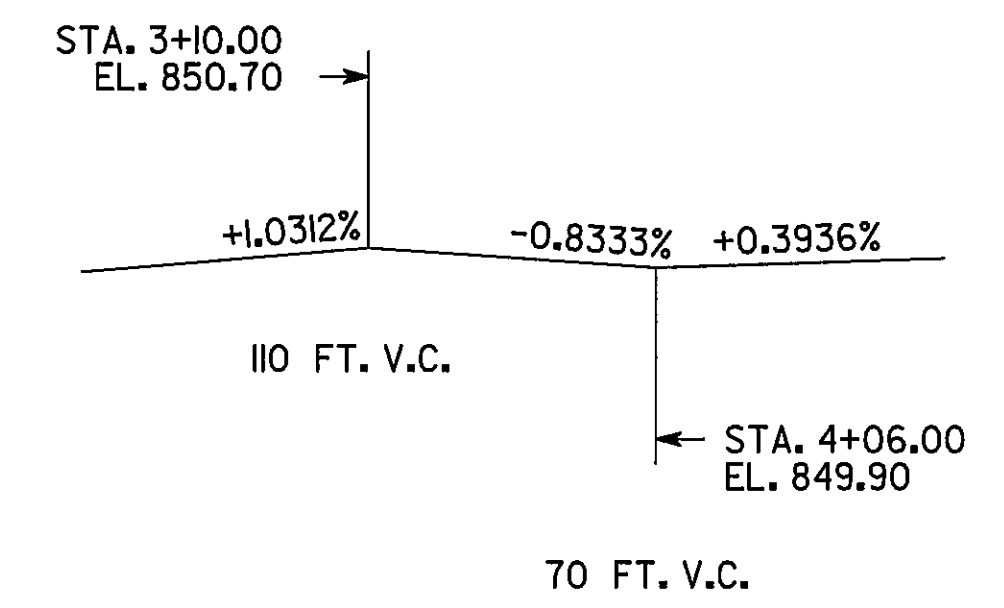


PLAN

** 2:1 SLOPE MEASURED NORMAL TO END BENT.
 ** STATIONS AND ELEVATIONS ARE ALONG PROFILE GRADE LINE AT THE INTERSECTION OF PROFILE GRADE LINE AND B.F.P.R. OR BENTS.



ELEVATION



VERTICAL CURVE DATA

		GEORGIA	
		DEPARTMENT OF TRANSPORTATION	
		ENGINEERING DIVISION-OFFICE OF BRIDGES AND STRUCTURES	
REVISIONS	DATE	X	X
		X	X
		X	X
		SCALE: 1" = 20'-0"	
		X	X
		X	X
		X	X

DRAWING NO.
35-XX
BRIDGE SHEET
X OF X

DESIGNED X	CHECKED X	REVIEWED X
DRAWN X	DESIGN GROUP X	APPROVED X